

Bolted bonnet, Outside screw-and-yoke, Rising stem, Non-rising handwheel, Flexible wedge.

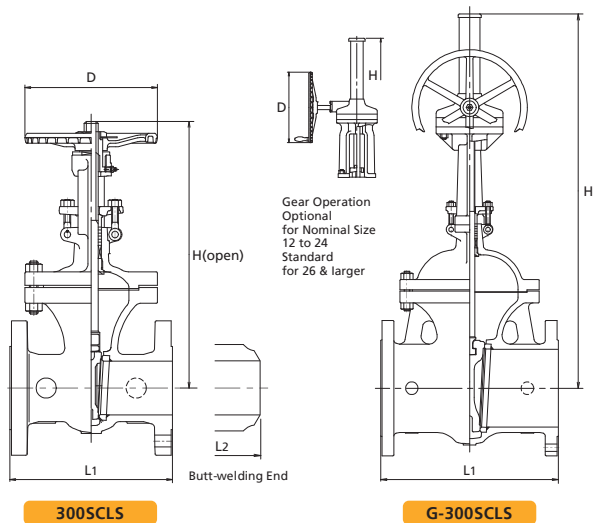


Fig	End Connections
300SCLS	RF-flanged ends.
W300SCLS	Butt-welding ends.

Standard materials of parts

Parts	Materials
Body	ASTM A216 Gr.WCB
Bonnet	ASTM A216 Gr.WCB
Stem	ASTM A182 Gr.F6a
Disc	13Cr/Carbon Steel+13Cr
Body seat ring	Carbon Steel+HF*
Gland	ASTM A182 Gr.F6a
Gland packing	Flexible Graphite
Gland flange	ASTM A105/A216 Gr. WCB
Handwheel	Ductile iron
Gasket	See Page 6
Bonnet bolt/nut	ASTM A193 Gr.B7/A194 Gr.2H
Gland bolt/nut	ASTM A576 Gr.1045/A194 Gr.2H
Bonnet bushing	ASTM A182 Gr.F6a
Yoke sleeve	ASTM A439 Tp.D2
Grease nipple	Carbon steel

*Hard facing with Co-Cr-W Alloy.
 Note: Refer to Page 5&6 for standard seat material and construction.

Dimensions

Nominal Size	Nominal Size																						
	1 1/2	2	2 1/2	3	4	5	6	8	10	12	14	16	18	20	22	24	26	28	30	32	34	36	
L ₁	in	7.50	8.50	9.50	11.14	12.00	15.00	15.86	16.50	18.00	19.76	30.00	33.00	36.00	39.00	43.00	45.00	49.00	53.00	55.00	60.00	64.00	68.00
	mm	190	216	241	283	305	381	403	419	457	502	762	838	914	991	1092	1143	1245	1346	1397	1524	1626	1727
L ₂	in	—	8.50	9.50	11.14	12.00	15.00	15.86	16.50	18.00	19.76	30.00	33.00	36.00	39.00	43.00	45.00	49.00	53.00	55.00	60.00	64.00	68.00
	mm	—	216	241	283	305	381	403	419	457	502	762	838	914	991	1092	1143	1245	1346	1397	1524	1626	1727
H	in	16.2	16.2	17.9	20.8	24.1	27.2	31.1	39.9	47.8	56.6	61.5	68.1	76.0	84.1	93.1	100	112.0	123.8	131.3	143.7	150.0	153.5
	mm	411	411	454	528	613	692	790	1013	1215	1458	1561	1741	1931	2137	2364	2540	2845	3145	3335	3650	3810	3900
D	in	7.9	7.9	7.9	9.8	9.8	11.8	13.8	15.7	17.7	19.7	23.6	23.6	26.8	29.9	29.9	35.8	23.6	23.6	23.6	23.6	23.6	23.6
	mm	200	200	200	250	250	300	350	400	450	600	600	680	680	760	760	910	600	600	600	600	600	600